

Mayflower®-IDS-Q670E

Short 19" 2U system with 4 PCIe and 4 M.2 slots for Intel® Core™ i CPUs up to 14th Generation

Features

- **High-Performance with Intel® Core™ i CPUs 12th/13th/14th Generation**
- **4x PCIe slots for expansion cards**
- **Depth only 385 mm**
- **4x M.2 expansion**
- **Robust full industrial components for 24/7 operation**
- **Drive cages in anti-vibration design**

Configuration example

Further configurations on request!

Mainboard:

Industrial Mainboard (micro-ATX)
24/7 operation, long-term available

Processor:

Intel® Core™ i 12th/13th/14th Generation
Chipset: Intel® Q670E

Memory:

4x DDR5 UDIMM, max. 128 GB

Graphic:

Onboard Intel® UHD 730/770
(depending on CPU)

Drive Bays:

Internal
2x 2.5", 2x 3.5"
External
2x 5.25"

Environment:

Operating Temperature
0° ~ 45° C*
Storage Temperature
-40° ~ 85° C
Relative Humidity (operation)
0 ~ 90 % (non condensing)

Features:

Watchdog Timer
TPM 2.0 (onboard)

Power Supply:

90 ~ 264 VAC, 400 Watt
PS2 ATX, 80 Plus

Expansions:

2x M.2 (M-key, Type: 2242/2280)
1x M.2 (E-key, Type: 2230)
1x M.2 (B-key, Type: 2242/3042/3052)
1x PCIe x16 (Gen 5), 16 lanes*
*8 lanes if both PCIe x16 are used
1x PCIe x16 (Gen 5), 8 lanes
1x PCIe x4 (Gen 4), 4 lanes
1x PCIe x4 (Gen 3), 2 lanes
Low-Profile

Mechanical:

Chassis
19 inch 2U rackmount chassis
Lockable front door
Dimensions (W x H x D)
428 x 88 x 385 mm
Cooling
Active, 2x 60 mm fans
Air filter changeable from the front

I/O:

Back
2x 1 GBit LAN (RJ45)
4x USB 3.2 (Gen 2)
1x RS-232/422/485
1x RS-232 optional
1x DisplayPort 1.4
1x HDMI 2.0
1x VGA
3x Audio (Line-Out, Line-In, Mic)
Front
2x USB 3.2 (Gen 1)
Internal
1x USB 3.2 (Gen 1) type A
1x GPIO Header (8 Bit)

Operating System:

Microsoft® Windows® 10/11, Linux®



Mayflower®-IDS-Q670E

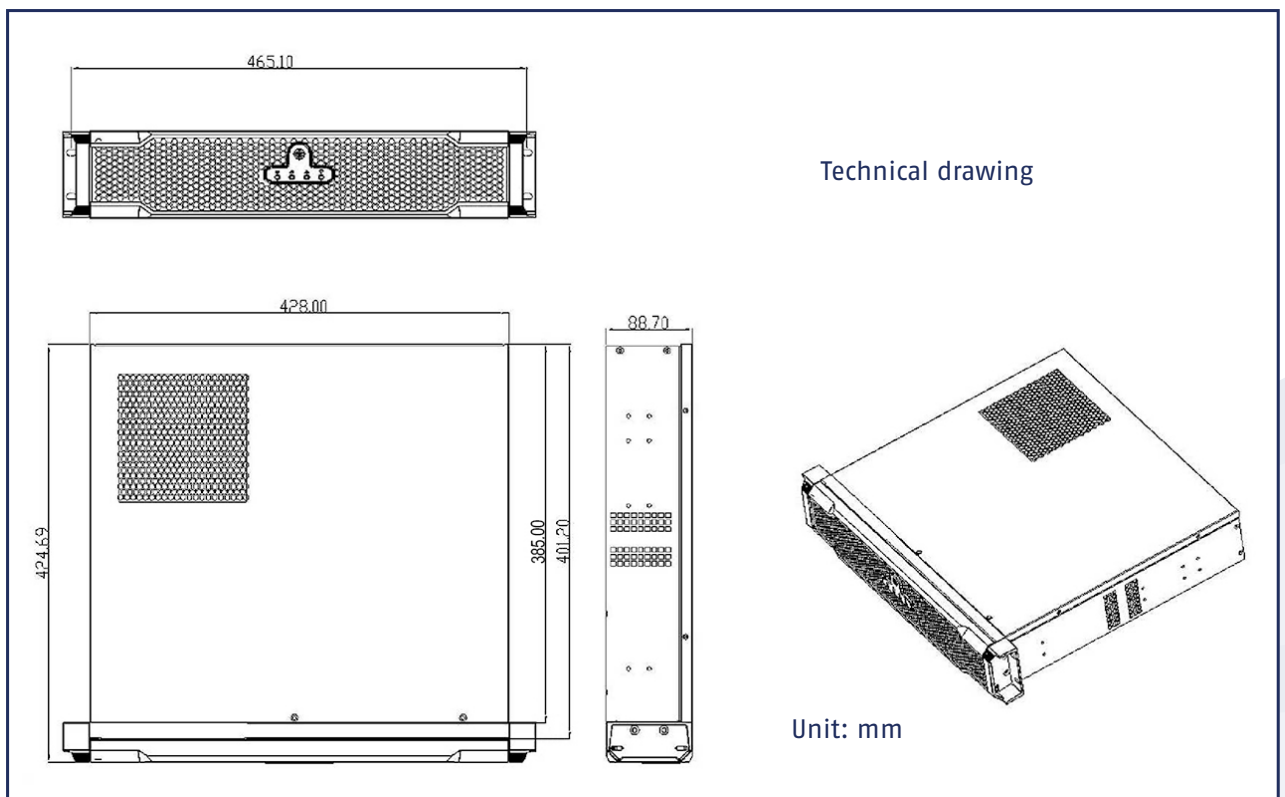
Additional illustrations



Rear view



Front view (open)



InoNet Competences and Services



Consulting



Development



Testing



Customization



Manufacturing



ISO 9001
Certifications

InoNet Computer GmbH
Wettersteinstraße 18
82024 Taufkirchen, Germany
www.inonet.com