

Mayflower®-IDB-R680E

19" 2U system incl. alarm module with 4 slots and PICMG 1.3 slot SBC for Intel® Core™ i CPUs up to 14th Gen.

Features

- *High-Performance with Intel® Core™ i CPUs 12th/13th/14th Generation*
- *5x PCIe slots for full height expansion cards*
- *Robust full industrial components for 24/7 operation*
- *Integrated alarm module for signaling error conditions*
- *1x M.2 and 2x 3.5" drive bays*
- *Air filter replaceable from the front*

Configuration example

Further configurations on request!

Slot SBC/Backplane:

Industrial slot SBC (PICMG 1.3),
5-slot butterfly backplane
24/7 operation, long-term available

Processor:

Intel® Core™ i 12th/13th/14th Generation
Chipset: Intel® R680E

Memory:

2x DDR5 UDIMM, max. 5600 MHz
max. 64 GB

Graphic:

Onboard Intel® UHD 730/770
(depending on CPU)

I/O:

Back
2x 2.5 GBit LAN (RJ45)
2x USB 3.2 (Gen 2)
1x USB 2.0
1x VGA

Back (optional)

4x USB 3.2 (Gen 2) via slot bracket
1x RS-232 or 2x via slot bracket
1x DVI-D via slot bracket

Front

2x USB 2.0

Internal

1x USB 2.0 (type A)
1x GPIO Header (8 Bit)

Power Supply:

90 ~ 264 VAC, 500 Watt
PS2 ATX, 80 Plus

Expansions:

1x PCIe x16 (Gen 3)
4x PCIe x1 (Gen 3)
Full height

Mechanical:

Chassis

19" 4U rackmount chassis

Dimensions (W x H x D)

482 x 88 x 450.6 mm

Cooling

Active, 1x 80 mm fan

Air filter changeable from the front

Drive Bays:

Internal

1x M.2 (M-key, type: 2280)

External

2x 3.5" or 2x 3.5" removable

frame (optional)

1x Slimline-ODD

Operating System:

Microsoft® Windows® 10/11
Linux®

Features:

Watchdog Timer

TPM 2.0

Environment:

Operating Temperature

0° ~ 45° C

Storage Temperature

-20° ~ 60° C

Relative Humidity

10 ~ 85 % (non condensing)

IP Protection

IP20



Mayflower[®]-IDB-R680E

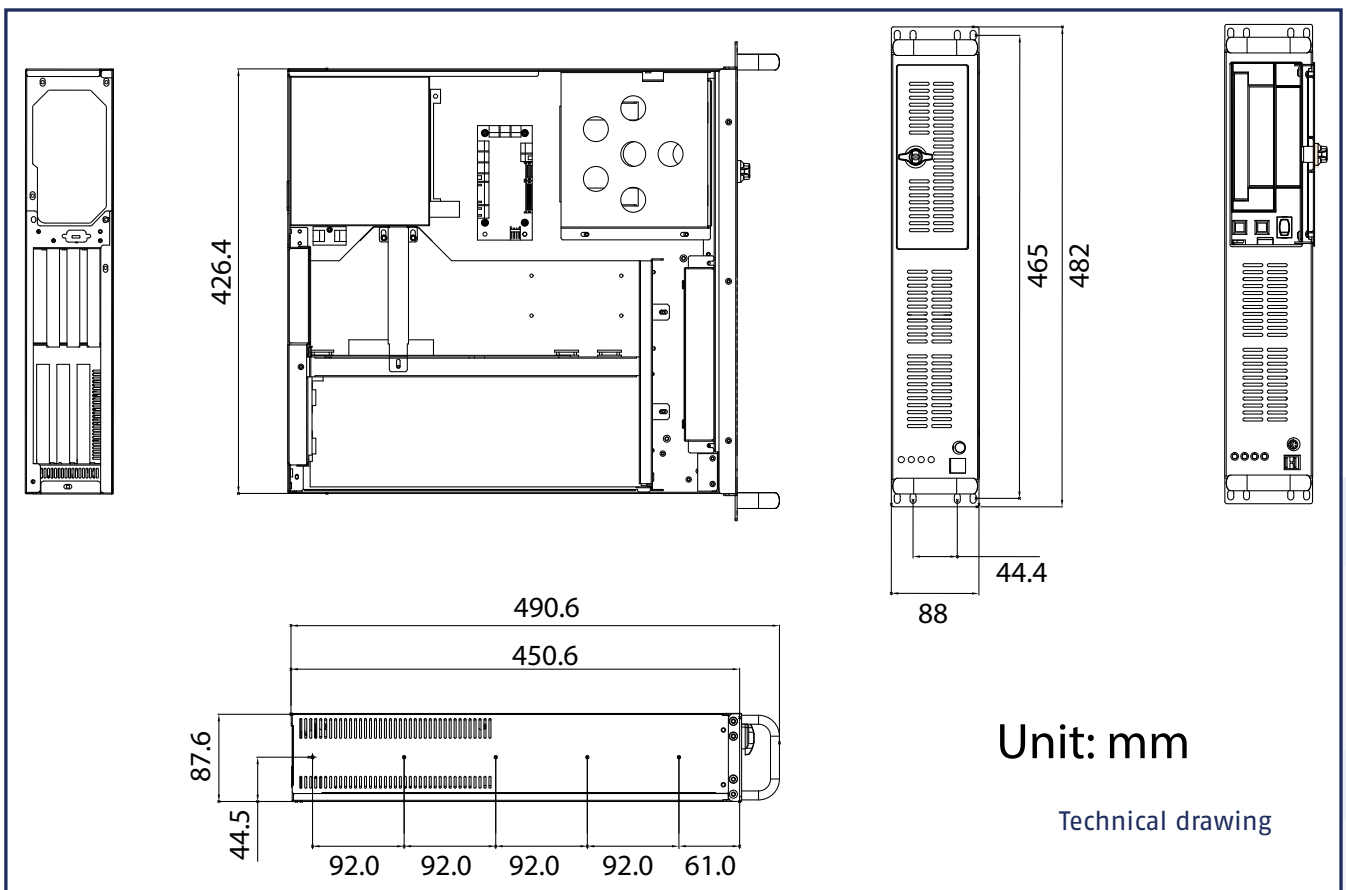
Additional illustrations



Front view (open)



Rear view



InoNet Competences and Services



Consulting



Development



Testing



Customization



Manufacturing



Certifications

InoNet Computer GmbH
Wettersteinstraße 18
82024 Taufkirchen, Germany
www.inonet.com