

## InoHiL<sup>®</sup>-II-Q-C621

19" HiL server with QuickTray<sup>®</sup>-v3 for model calculations and signal processing in the automotive environment

### Features

- *High-Performance with Intel<sup>®</sup> Xeon<sup>®</sup> Scalable CPU*
- *Incl. QuickTray<sup>®</sup>-v3 with up to 240 TB*
- *Hot-plug to avoid reboots*
- *Robust full industrial components for 24/7 operation*
- *Hardware-based data encryption possible*
- *Expandable with GPUs*
- *Additional extensions for Ethernet, CAN, LIN<sup>®</sup> etc. optional*

### Configuration example

Further configurations on request!

#### Mainboard:

Industrial Mainboard (ATX), 24/7 operation, long-term availability

#### Processor:

Intel<sup>®</sup> Xeon<sup>®</sup> Scalable (2. Gen) Chipset: Intel<sup>®</sup> C621

#### Memory:

6x DDR4 DIMM, max. 2933 MHz RDIMM/LRDIMM: max. 768 GB

#### Graphic:

OnBoard AST2510, 1 GB DDR4

#### Drive Bays:

**Internal**  
1x M.2 (M-key, Type: 2280)  
**External**  
2x 2.5" SATA-III SSDs in shuttle  
1x 5.25"  
**Integrated QuickTray<sup>®</sup>-v3**  
up to 240 TB\* with 4x NVMe-SSDs  
up to 26 GB/s\*

#### Operating System:

Microsoft<sup>®</sup> Windows<sup>®</sup> Server/10/11  
Linux<sup>®</sup>

#### Features:

Watchdog Timer  
TPM 2.0 support

#### Power Supply:

90 ~ 264 VAC, 500 Watt, 80 Plus

#### Expansions:

1x PCIe x16 or 2x PCIe x8 (Gen 3)  
1x PCIe x16 used by RAID controller  
1x PCIe x8 (Gen 3)  
1x PCIe x4 (Gen 3)  
1x PCIe x1 (Gen 3)  
Full height  
**Optional**  
Additional extensions for automotive applications (Ethernet, CAN, LIN<sup>®</sup> etc.)

#### Mechanical:

**Chassis**  
19" 4U rackmount chassis  
**Dimensions (W x H x D)**  
483 x 177 x 510 mm  
**Cooling**  
active, 1x 120 mm fan

#### I/O:

**Back**  
2x 1 GBit LAN (RJ45)  
4x USB 3.0  
2x USB 2.0  
1x RS-232  
1x VGA  
**Front**  
2x USB 3.0  
**Internal**  
1x USB 2.0 (Typ A)  
1x GPIO Header (8 Bit)

#### Environment:

**Operating Temperature**  
0° ~ 35° C  
**Storage Temperature**  
-20° ~ 70° C  
**Relative Humidity**  
10 ~ 90 % (non condensing)  
**IP Protection**  
IP20



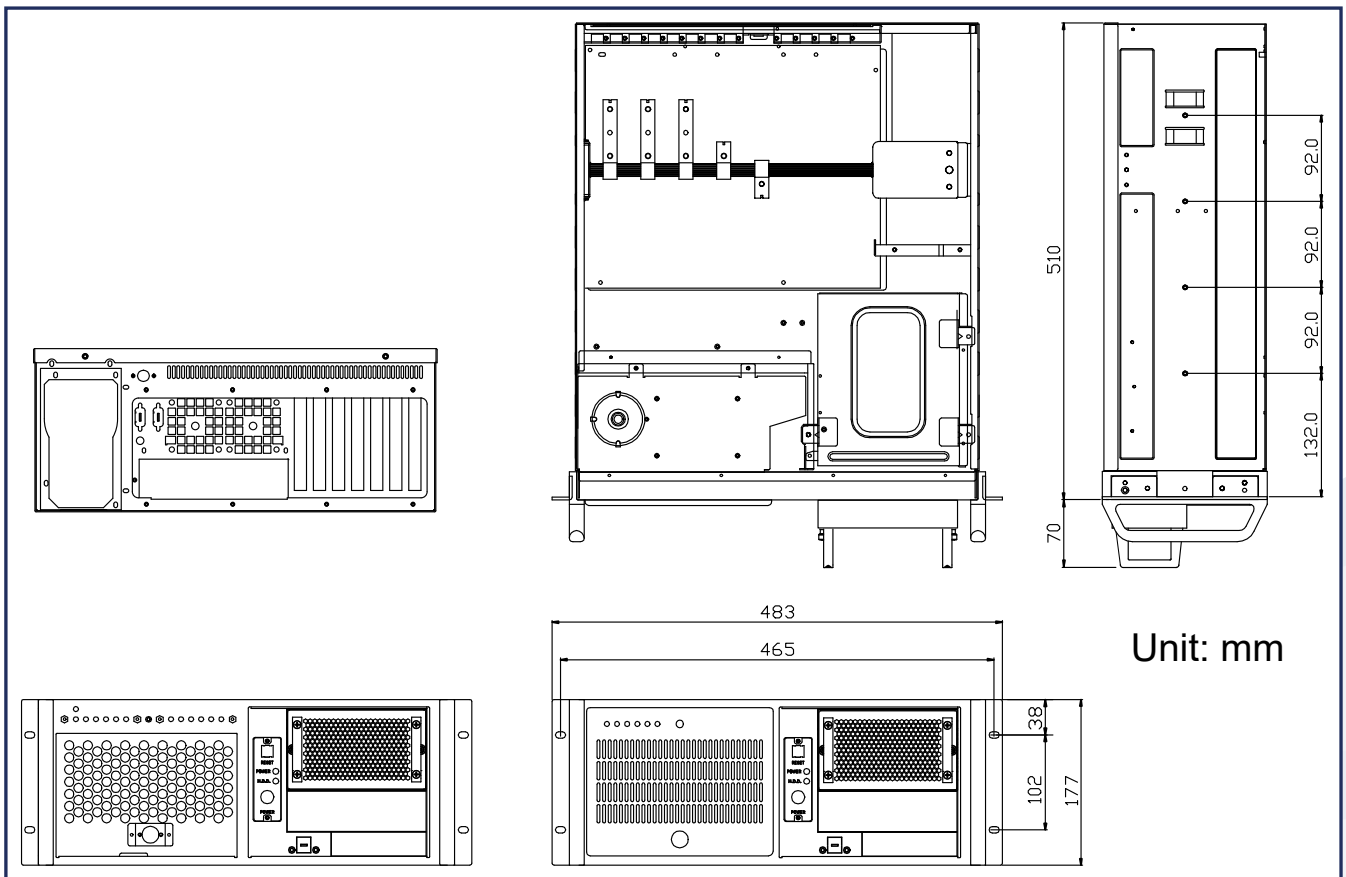
# InoHil®-II-Q-C621

## Additional illustrations

Rear view



Technical drawing



Unit: mm

### InoNet Competences and Services



Consulting



Development



Testing



Customization



Manufacturing



Certifications

InoNet Computer GmbH  
Wettersteinstraße 18  
82024 Taufkirchen, Germany  
[www.inonet.com](http://www.inonet.com)