

## InoGest™ Copy-Station tXf-v3-L-R680E

Compact, actively cooled system for use as a copy station in the automotive environments

### Features

- **High-Performance with Intel® Core™ i CPUs 12<sup>th</sup>/13<sup>th</sup>/14<sup>th</sup> Generation**
- **Incl. QuickTray®-v3 with up to 240 TB**
- **Slim form factor, perfect for transportation**
- **Up to 2x 25 GBit LAN**
- **Hardware-based data encryption possible**
- **Optional Wi-Fi/Bluetooth/GNSS/LTE/5G**



### Configuration example

Further configurations on request!\*

#### Mainboard:

Industrial Mainboard (mini-ITX), 24/7 operation, long-term available

#### Processor:

Intel® Core™ i 12<sup>th</sup>/13<sup>th</sup>/14<sup>th</sup> Generation up to 65 Watt TDP, Socket 1700  
Chipset: Intel® R680E  
Intel® Turbo-Boost: Depends on the selected configuration

#### Memory:

2x DDR5 SO-DIMM, max. 5600 MHz max. 64 GB

#### Graphic:

Onboard Intel® UHD 730/770 (depending on CPU)

#### Drive Bays:

**Internal**  
2x M.2 (M-key, type: 2280)  
**External**  
2x 2.5" SATA-III SSD in shuttle QuickTray®-v3  
Up to 240 TB, via RAID controller PCIe x8 (Gen 4), optional data encryption

#### I/O:

**Back**  
1x 2,5 GBit LAN (RJ45), iAMT support  
2x 25 GBit LAN (SFP28), NVIDIA® ConnectX®-6 Lx, PCIe x8 (Gen 4)  
Opt. 4x 1 GBit LAN (RJ45) with PoE  
2x Display Port 1.4a  
1x RS-232  
1x RS-232/422/485  
6x USB 3.2 (2x Gen 2, 4x Gen 1)  
2x USB 2.0  
3x Audio (Line-In, Line-Out, Mic)  
**Internal**  
1x LVDS / eDP  
1x GPIO Header (8 Bit)

#### Features:

Watchdog Timer, iAMT, TPM 2.0

#### Power Supply:

12 ~ 48 VDC, 500/600 Watt, HDPLEX for NL4 connector (Neutrik)  
Efficiency >94%

#### Optional

11 ~ 34 VDC, 250/300 Watt, M4-ATX for NL4 connector (Neutrik), four-pin with ignition pin

#### Mechanical:

##### Chassis

Robust 1 mm galvanized sheet steel with powder coating (On request: Intrusion Detection)

##### Dimensions (W x H x D)

215 x 224 x 303 mm

##### Cooling

Active, 2x 80 mm fans  
Filter cartridge incl. mat

##### Mounting

Wallmount, Desktop, 19" compatible (On request: two systems side by side)

#### Communication:

##### Wi-Fi/Bluetooth (optional)

Intel® M.2 Module  
802.11ax Dual Band 2x2 160MHz  
Bluetooth® 5.1

##### GNSS/LTE (optional)

Support for GPS, GLONASS, BeiDou, Galileo, QZSS  
Micro SIM slot for 3G/4G/5G

#### Environment:

##### Operating Temperature

0° ~ 55° C

##### Storage Temperature

-20° ~ 70° C

##### Relative Humidity (operation)

10 ~ 90 % (non condensing)

##### IP Protection

IP20

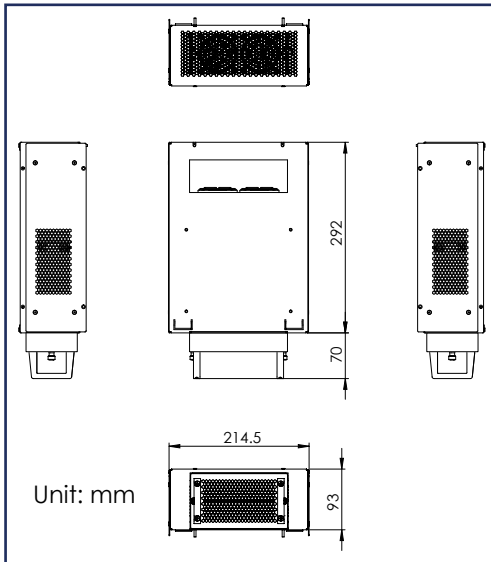
#### Operating System:

Microsoft® Windows® 10/11, Linux®

\* The final configuration must take care of the power and cooling capacity of the power supply and the system fans.

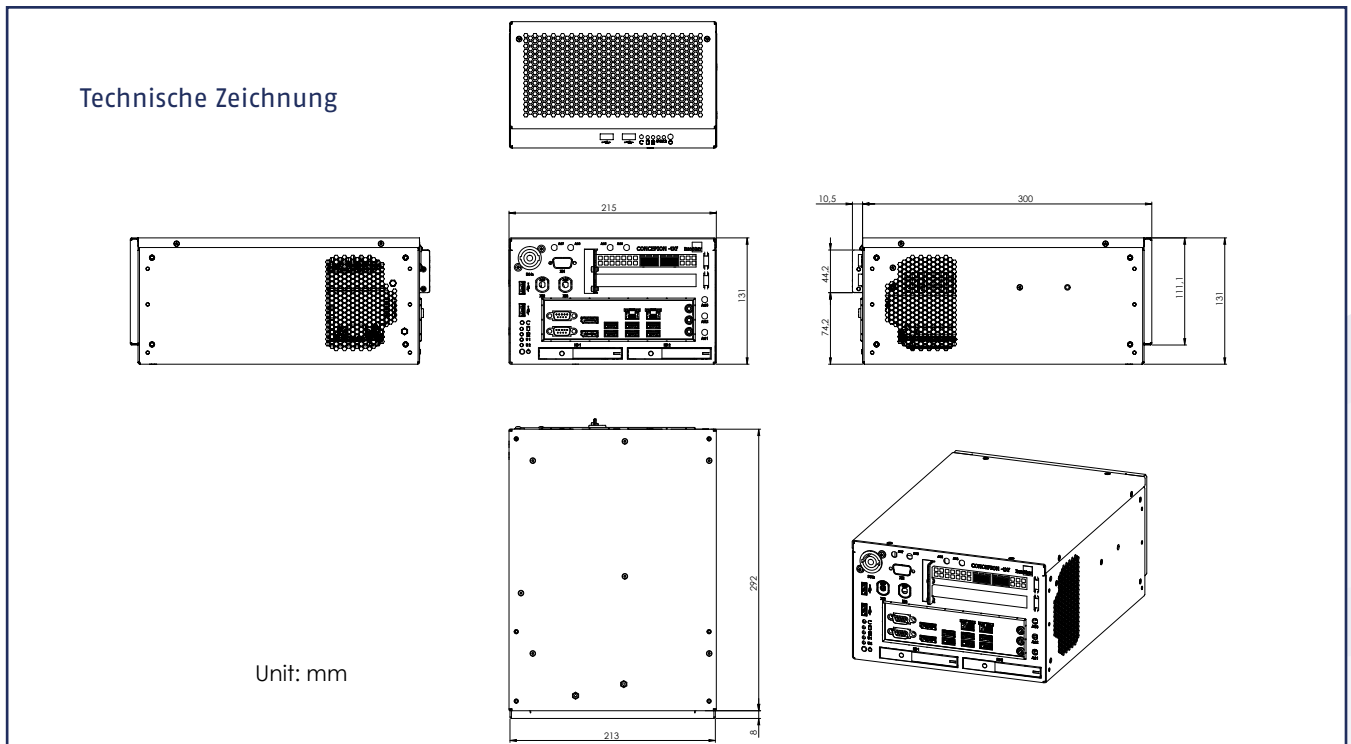
# InoGest™ Copy-Station tXf-v3-L-R680E

## Additional illustrations



Technical drawing  
QuickTray®-v3 extension

Wi-Fi/Bluetooth and  
GNSS/LTE (optional)  
(Fig. without QuickTray®-v3 extension)



### InoNet Competences and Services



Consulting



Development



Testing



Customization



Manufacturing



Certifications

InoNet Computer GmbH  
Wettersteinstraße 18  
82024 Taufkirchen, Germany  
[www.inonet.com](http://www.inonet.com)